

FEATURES

- 0.4V Dropout Voltage
- 500mA Output Current (700mA peak)
- 50 μ A Quiescent Current
- 2.85V, 3.3V, and 5V Trimmed Output Voltages
- Controlled Quiescent Current in Dropout
- Shutdown Pin
- 30 μ A Quiescent Current in Shutdown
- Stable With 3.3 μ F Output Capacitor
- Reverse Battery Protection
- No Reverse Output Current

APPLICATIONS

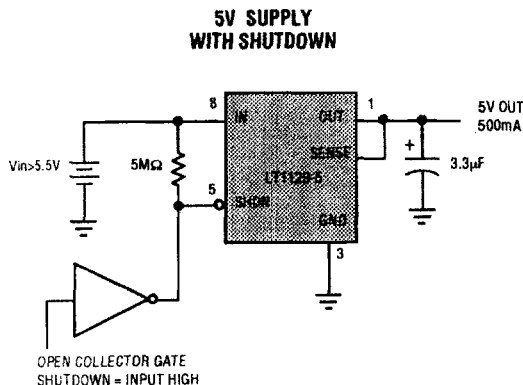
- Low Current Regulator
- Regulator for Battery Powered Systems
- Post Regulator for Switching Supplies

DESCRIPTION

The LT1129 is a Micropower Low Dropout Regulator with shutdown. The device is capable of supplying over 500 milliamps of output current with a dropout voltage of 0.4V at maximum output. For use in battery powered systems the low quiescent current, 50 microamps operating and 30 microamps in shutdown, makes it an ideal choice. Also the quiescent current does not rise in dropout as it does with many other low dropout PNP regulators.

Other features of the LT1129 include the ability to operate with small output capacitors. It is stable with only 3.3 μ F on the output. Unlike most older designs which require between 10 μ F and 100 μ F for stability, the input may be connected to ground for reverse voltage without reverse current flow from output to input. This makes the LT1129 ideal for back-up power situations where the output is held high and the input is at ground or reversed. Only 16 μ A will flow from the output pin to ground. The device is available in 5-lead TO-220 and surface mount DD packages.

 REFER TO TABLE OF CONTENTS
 FOR REVISED DATA LOCATION

TYPICAL APPLICATION

Dropout Voltage
